

RIFE

SINCE 1884

PARTS LIST FOR RIFE "New Model" SERIES BU

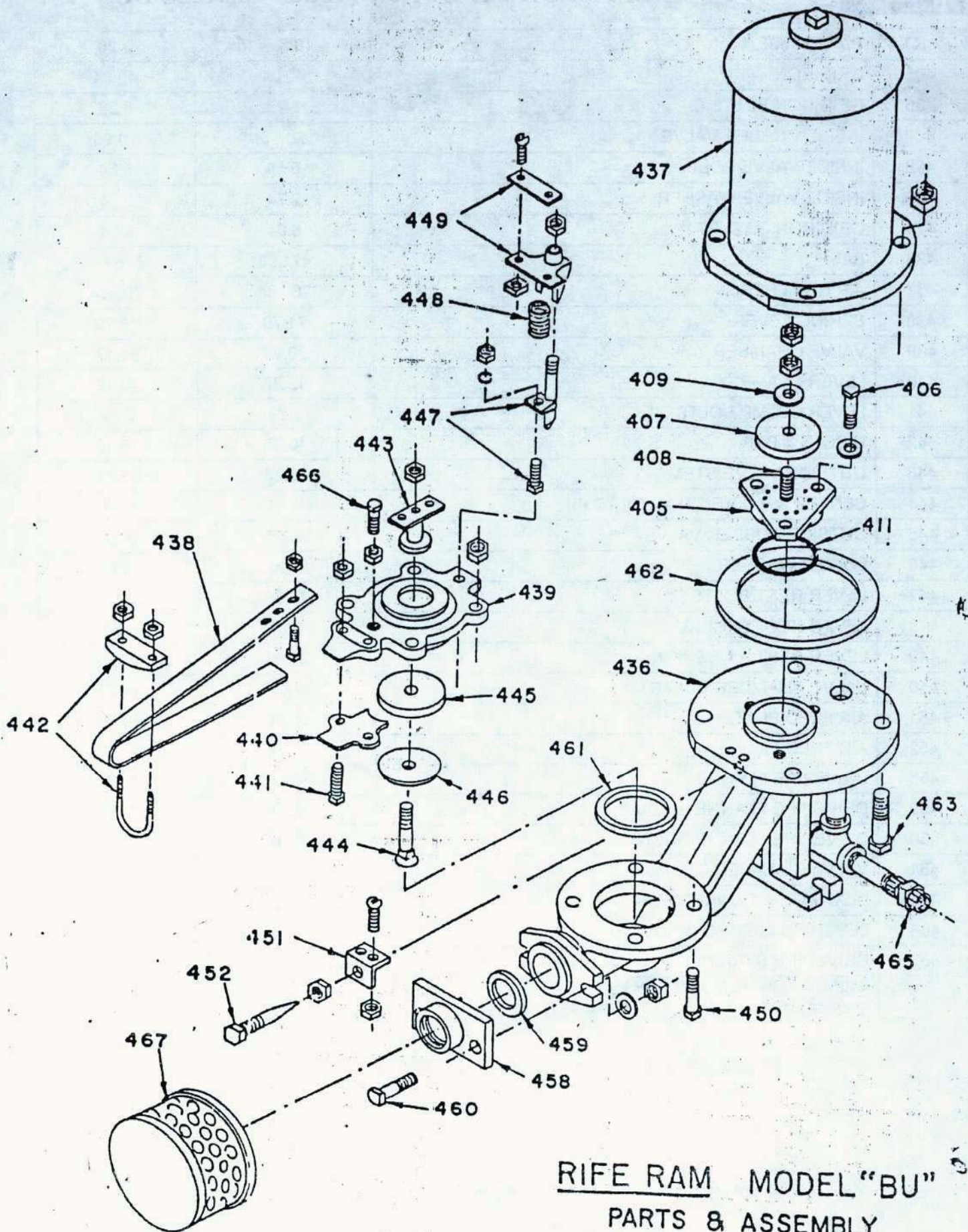
PART #	PART NAME	# 10 & # 15	# 20
405	GRIDIRON	40.04	40.04
406	GRIDIRON BOLTS (3)	8.28	8.28
407	INSIDE RUBBER VALVE	20.96	20.96
408	INSIDE VALVE BOLT	5.54	5.54
409	INSIDE VALVE WASHER	2.74	2.74
411	GRIDIRON GASKET	6.04	6.04
436	BASE		
437	AIR CHAMBER		
438	SPRING LEVER		
439	VALVE CHAMBER		84.17
440	LEVER CLAMP	12.27	
441	LEVER CLAMP BOLTS (2)	2.79	2.79
442	U-BOLT & BAR	10.36	15.18
443	OUTSIDE VALVE STEM	26.24	31.74
444	CENTER & VALVE STEM BOLTS (3)	4.16	5.54
445	OUTSIDE RUBBER VALVE	23.96	29.90
446	LOWER WASHER	9.68	11.09
447	LEVER REST BOLTS (2)	24.86	26.24
448	LEVER REST SPRING	8.28	8.28
449	LEVER REST & CUSHION	24.86	26.24
450	VALVE CHAMBER BOLTS (4)	9.68	10.71
451	AIR FEED PLATE	20.72	20.72
452	AIR FEED PIN	11.04	16.58
458	DRIVEPIPE FLANGE	38.64	49.67
459	DRIVEPIPE FLANGE GASKET	4.49	4.49
460	DRIVEPIPE FLANGE BOLTS (2)	5.56	5.56
461	VALVE CHAMBER GASKET	20.96	20.96
465	DISCHARGE CONNECTION		
466	LEVER ADJUSTING BOLT	2.52	2.52
467	DRIVEPIPE STRAINER		
470	REPAIR KIT - RUBBER PARTS [Includes 407, 411, 445, 459, 461 & 462]	84.68	92.16

PRICES EFFECTIVE July 24, 2007. SUBJECT TO CHANGE WITHOUT NOTICE.

**Blacked out Prices Means Part Is
No Longer Available. Please call
Rife For Replacement Options**

RIFE HYDRAULIC ENGINE MANUFACTURING CO.
LINE & GROVE STREETS - PO BOX 95 - NANTICOKE, PA 18634
PHONE: 570.740.1100 - FAX: 570.740.1101
EMAIL: ~~info@riferam.com~~ - WEBSITE: www.riferam.com

information@riferam.com



RIFE RAM MODEL "BU"
PARTS & ASSEMBLY

RIFE HYDRAULIC ENGINE MFG. CO.